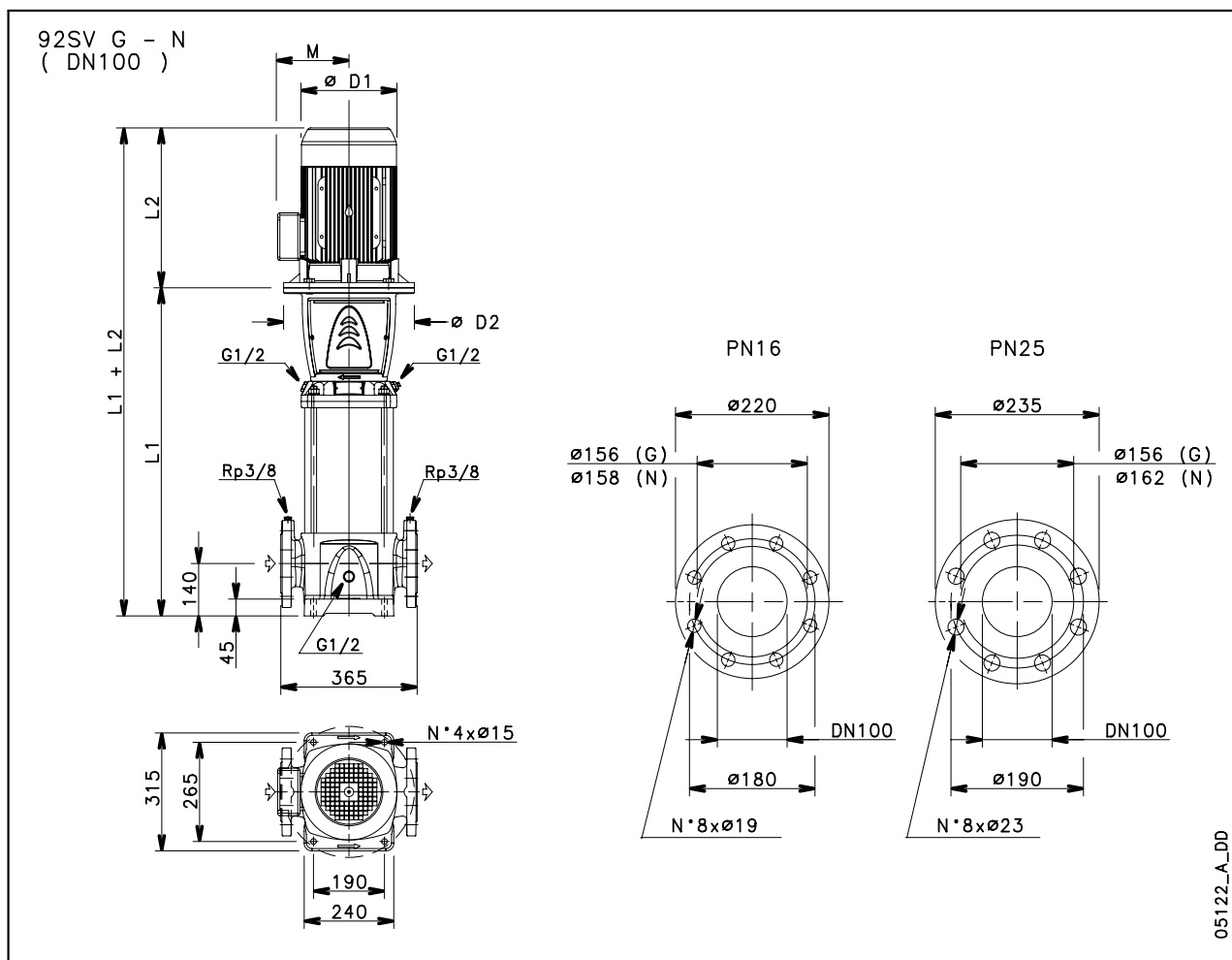
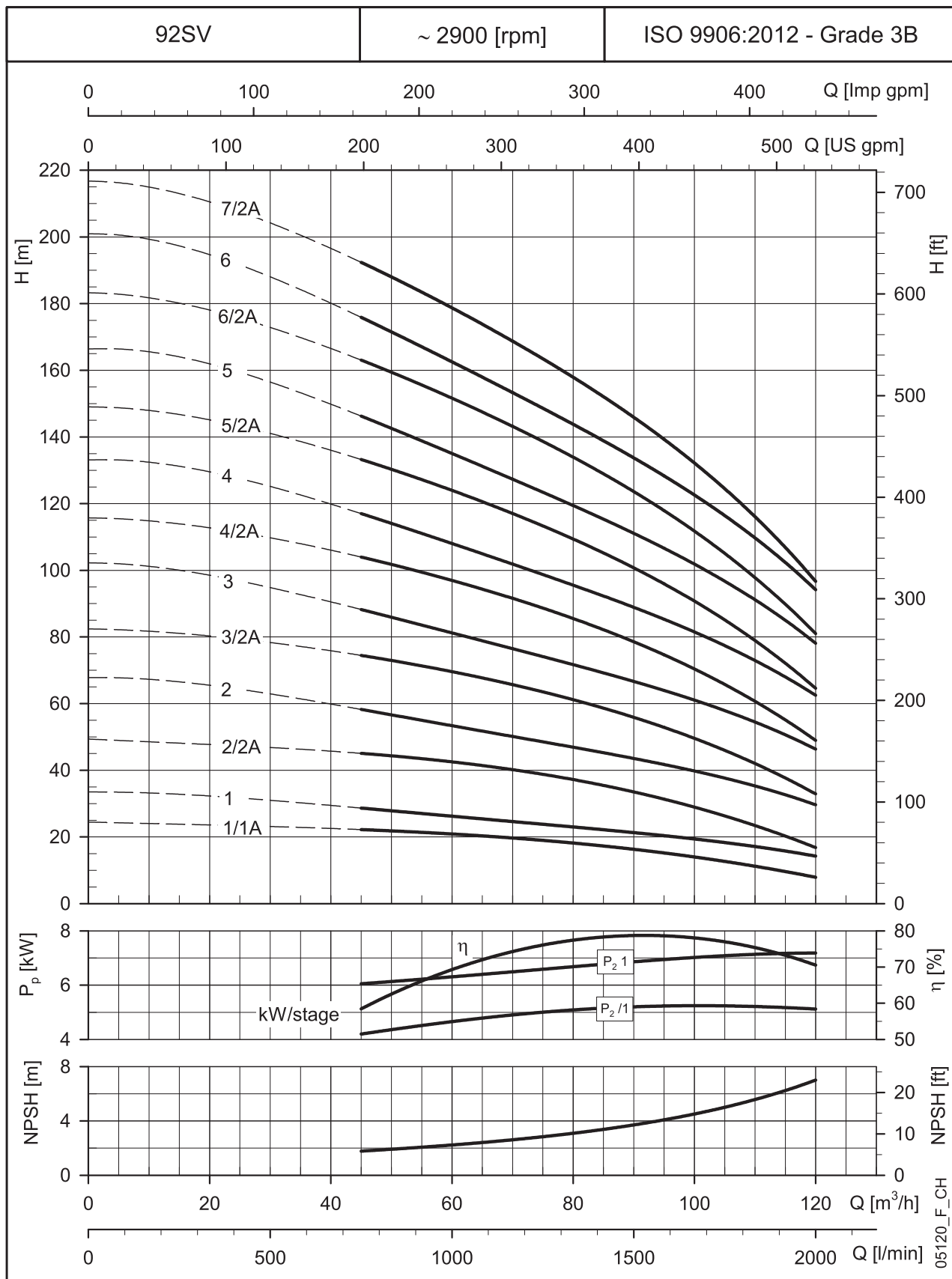


92SV SERIES
DIMENSIONS AND WEIGHTS AT 50 Hz, 2 POLES



PUMP TYPE	MOTOR		DIMENSIONS (mm)					WEIGHT kg		
	kW	SIZE	L1	L2	D1	D2	M	PN	PUMP	ELECTRIC PUMP
92SV1/1A../D	5,5	132	574	375	214	300	168	16	71	109
92SV1../D	7,5	132	574	367	256	300	191	16	71	127
92SV2/2A../D	11	160	699	428	256	350	191	16	80	150
92SV2../D	15	160	699	494	313	350	240	16	80	182
92SV3/2A../D	18,5	160	789	494	313	350	240	16	86	197
92SV3../D	22	180	789	494	313	350	240	16	87	208
92SV4/2A../D	30	200	879	657	402	400	317	16	99	314
92SV4../D	30	200	879	657	402	400	317	16	99	314
92SV5/2A../D	37	200	969	657	402	400	317	25	107	337
92SV5../D	37	200	969	657	402	400	317	25	107	337
92SV6/2A../D	45	225	1059	746	455	450	384	25	116	472
92SV6../D	45	225	1059	746	455	450	384	25	116	472
92SV7/2A../D	45	225	1149	746	455	450	384	25	121	477

92SV SERIES OPERATING CHARACTERISTICS AT 50 Hz, 2 POLES



These performances are valid for liquids with density $\rho = 1.0 \text{ Kg/dm}^3$ and kinematic viscosity $\nu = 1 \text{ mm}^2/\text{sec}$.